

1" Metallic EXP Models EXPerT Series Pump

1" Metallic Performance Specifications

Ratio:	1:1	
Maximum GPM (LPM):	52 (197)	
Displacement per cycle Gallons (Liters):	0.232 (.88)	
Air Inlet (Female):	1/4 - 18 NPT	
Fluid Inlet:	1 - 11-1/2 NPTF-1, Rp 1-11 BSP	
Fluid Outlet:	1 - 11-1/2 NPTF, Rp 1-11 BSP	
Max. operating pressure psi (bar):	120 (8.3)	
Suspended solids max. dia. in. (mm):	1/8" (3.3)	
Weight lbs (kg):	PX10R-XAX-XXX	20.7 (9.4)
	PX10R-XCX-XXX	35.2 (16.0)
	PX10R-XHX-XXX	39.6 (18.0)
	PX10R-XSX-XXX	38.2 (17.3)
	Note: Add 4.65 lbs (2.11 kg) for aluminum air motor Add 11.09 lbs (5.03 kg) for stainless steel air motor	
Maximum dry suction lift ft(m):	19 (5.7) Elastomer fitted	
Sound Level:	PSI	Cycles / Min
	70	60
		db(A)
		79.7



Ordering Menu

PX10	X	-	X	X	X	-	X	X	X
Model Series	Center Section		Connection		Hardware		Seat Material		Diaphragm Material
PD10 Standard Pump	A Aluminum		A NPTF Thread		P Plated Steel		A Santoprene®		A Santoprene®
PE10 Electronic Interface Accessible Pump	R Polypropylene		B BSP Thread		S Stainless Steel		C Hytrel®		C Hytrel®
	S Stainless Steel						E Carbon Steel		G Nitrile
			Wetted Parts				F Aluminum		M Medical grade Santoprene®
			A Aluminum				G Nitrile		T PTFE
			C Cast Iron				H 440 Stainless Steel (Hard)		V Viton®
			H Hastelloy-C				L Hastelloy		
			S Stainless Steel				S 316 Stainless Steel		
									Ball Material
									A Santoprene®
									C Hytrel®
									G Nitrile
									S 316 Stainless Steel
									T PTFE/Santoprene®
									V Viton®

Accessories*

Air Line Connection Kit | Kit No. 66073-2

Kit includes Piggyback Filter/Regulator with gauge, pipe nipple and a 5-foot section of air hose.

Diaphragm Failure Detection (DFD) | No. 67237

Costly production downtime due to pump diaphragm failure and resulting (possibly hazardous) material leakage is a very real problem in many process operations. ARO Diaphragm Failure Detection is one simple, cost-effective way to get your pumps wired for preventive maintenance. (PE10X pump model is required)

Cycle Counter Kit | Kit No. 67350

Like the odometer on your car, ARO's cycle sensing / cycle counter lets you know how many pump cycles have elapsed so you can be prepared to perform preventive maintenance. The cycle sensor is a cost-efficient way to save maintenance costs while keeping your pump on-line. (PE10X pump model is required)

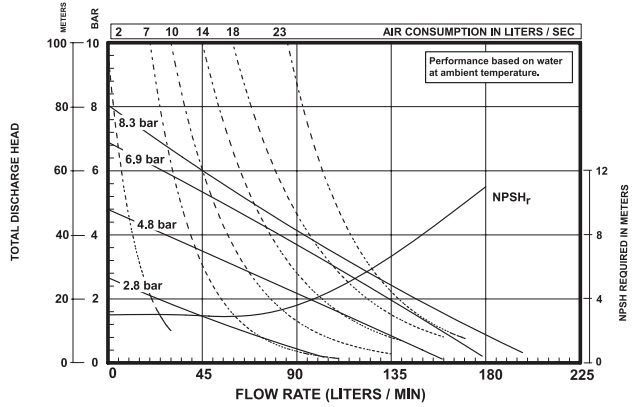
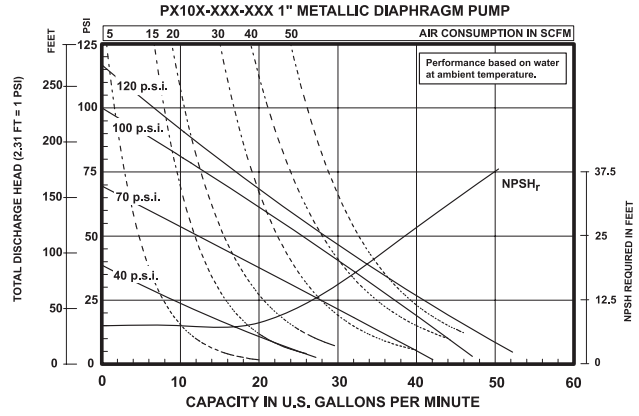
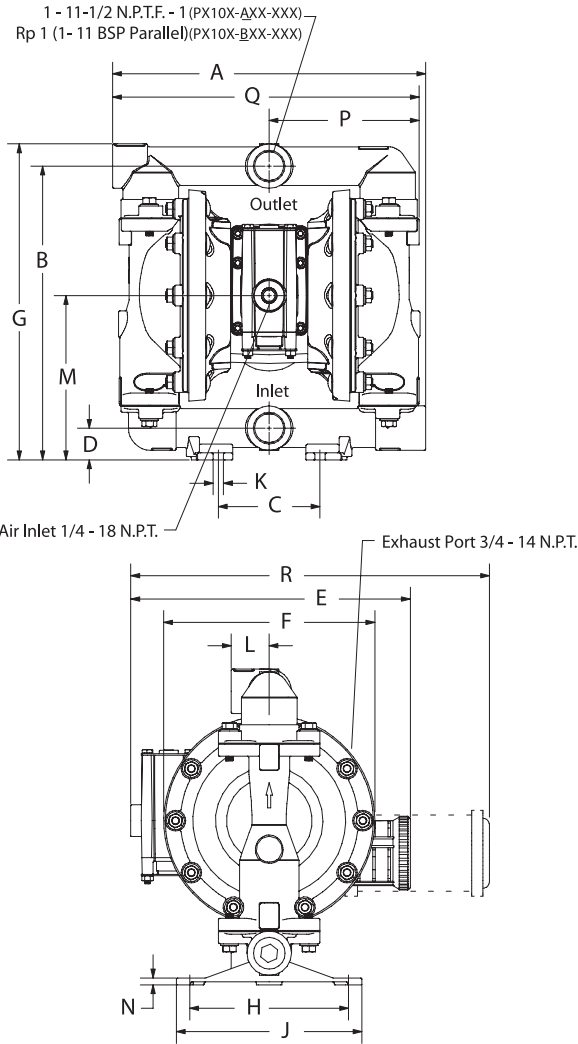
Service Repair Kits | Kit No. 637397 (air motor for PX10A, PX10R and PX10S)
Kit No. 637395-X (major air valve assembly)
Kit No. 637401-XX (fluid section)



Air Line Connection Kit 66073-2

*Please note pumps are not included with these kits.

1" Metallic Dimensions and Flow Curves EXpert Series Pumps



Refer to www.irtools.com/ARO for full size flow curves.

For additional information contact technical support at (800)495-0276

DIMENSIONS

A - 12-11/32" (313.2 mm)	G - 12-7/16" (315.9 mm)	N - see below
B - 11-9/16" (293.7 mm)	H - 6-1/4" (158.8 mm)	P - 5-27/32" (148.2 mm)
C - 4" (101.6 mm)	J - 7-5/16" (185.7 mm)	Q - 12" (304.8 mm)
D - 1-1/4" (31.8 mm)	K - 13/32" (10.3 mm)	R - see below
E - see below	L - 1-1/2" (38.1 mm)	
F - see below	M - 6-15/32" (164.3 mm)	

	"E"	"F"	"R"
PX10A-XXX-XXX	-----	8-1/8" (206.4 mm)	14-1/32" (356.2 mm)
PX10B-XXX-XXX	11-1/32" (279.5 mm)	8-5/16" (211.1 mm)	-----
PX10S-XXX-XXX	-----	8-3/16" (207.9 mm)	13-27/32" (351.4 mm)

	"N"
PX10X-AXX-XXX	1/4" (6.4 mm)
PX10X-BCX-XXX	9/32" (7.1 mm)
PX10X-DCX-XXX	9/32" (7.1 mm)
PX10X-EXX-XXX	9/32" (7.1 mm)