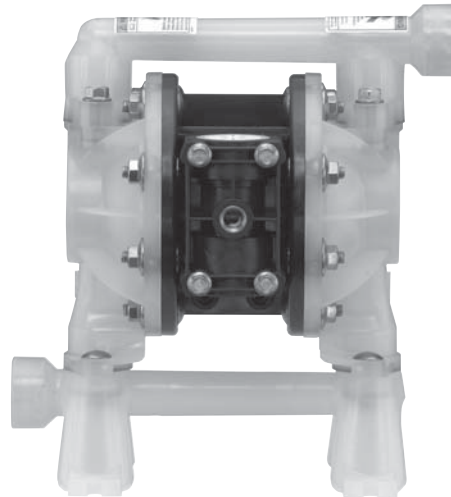


3/4" Non-Metallic Models Pro-Series Pumps

3/4" Non-Metallic Performance Specifications

Ratio:	1:1
Maximum Flow:	14.8-g.p.m. (56-l.p.m.)
Displacement per cycle:	.032-Gallons (0.12-Liters)
Air Inlet: (Female)	1/4 - 18 P.T.F. SAE Short
Fluid Inlet:	1/2 - 14 N.P.T.F. - 1 Rp 1/2 (1/2 -14 BSP, parallel)
Fluid Outlet:	3/4 - 14 N.P.T.F. Rp 3/4 (3/4 -14 BSP, parallel)
Max. operating pressure:	100-psi (6.9-bar)
Suspended solids max. dia.:	3/32" (2.4-mm)
Weight: lbs (kg)	5.61 (2.54)
Maximum dry suction lift: ft (m)	15.0 (4.5)



Ordering Menu

PD07	P	-	X	X	S	-	X	X	X
Model Series	Center Section Material	Fluid Connection	Fluid Caps/Manifold Material	Hardware Material	Seat Material	Ball Material	Diaphragm Material		
Standard	P Polypropylene	A 3/4" N.P.T. B 3/4" BSP	P Polypropylene (single port)	S Stainless Steel	P Polypropylene	A Santoprene C Hytrel T PTFE	A Santoprene C Hytrel T PTFE		

Accessories

Air Line Connection Kit* | Kit No. 66073-1

Kit includes Piggyback Filter/Regulator with gauge, pipe nipple and a 5-foot section of air hose.

Muffler Kit | Kit No. 637438 (ported exhaust) 3/8" NPT

Service Repair Kits | Kit No. 637428 (air section)

Kit No. 637427-XX (fluid section)

Wall Mount | 76763

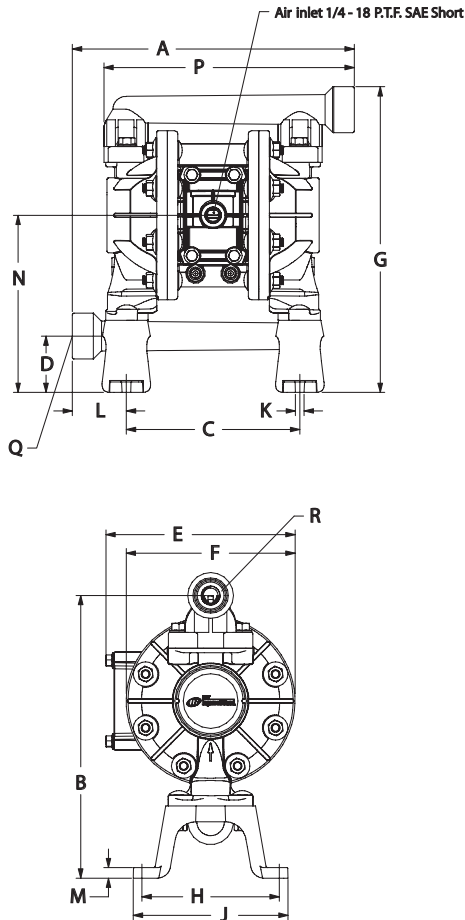
*Please note pumps are not included with these kits.



Air Line Connection Kit
66073-1

3/4" Non-Metallic Dimensions and Flow Curves Pro-Series Pumps

3/4" Non-Metallic Dimensions and Flow Charts

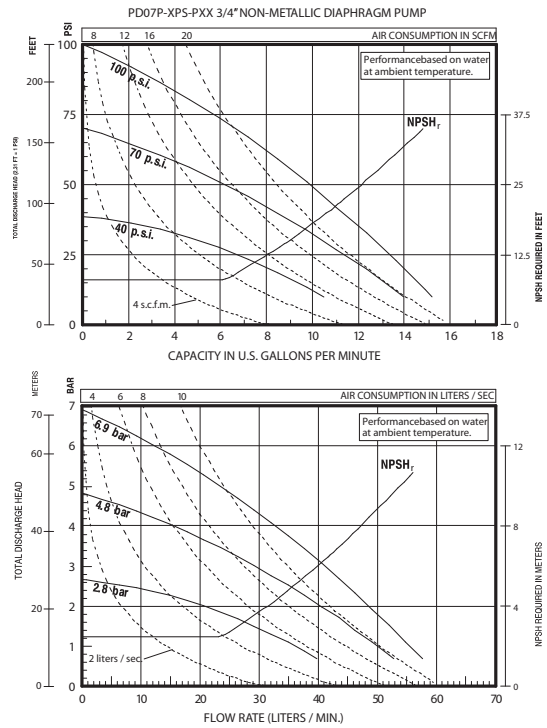


DIMENSIONS

A - 10" (254.2 mm)	F - 6-1/32" (153.1mm)	L - 1-15/16" (48.9mm)
B - 10-3/32" (256.1mm)	G - 10-29/32" (276.8mm)	M - 3/8" (9.6mm)
C - 6-3/16" (157.1mm)	H - 4-29/32" (124.2mm)	N - 6-5/16" (160.5mm)
D - 2" (51.0mm)	J - 5-17/32" (140.2mm)	P - 8-7/8" (225.3mm)
E - 6-3/4" (171.0mm)	K - 5/16" (8.0mm)	

Model	"Q" Material Inlet	"R" Material Outlet
PD07P-APS-PXX	3/4- 14 N.P.T.F. - 1	3/4- 14 N.P.T.F. - 1
PD07P-BPS-PXX	Rp 3/4(3/4- 14 BSP)	Rp 3/4(3/4- 14 BSP)

NOTE: Dimensions are shown in inches and (mm) and are supplied for reference only



Refer to www.ingersollrandproducts.com for full size flow curves.

For additional information contact
technical support at 1.800.483.4981

NON-METALLIC